

STANADYNE®

Fuel Manager® Diesel Fuel Filtration Systems Product Information and Part Number List



A variety of modular accessories, element sizes and header configurations give Stanadyne's Fuel Manager® filter/water separator systems unparalleled versatility to meet the installation and efficiency requirements of automotive, industrial, agricultural, construction and marine applications with diesel engines up to 600 BHP.

All Fuel Manager filters remove both particulates and water. It is important that water is drained regularly to maximize coalescing capabilities.

Installation can be on either the suction side or discharge side of the fuel transfer pump.

Special FM100 marine components (aluminum drain valves and elements with special corrosion protection) are identified herein as "**Marine**".

A new Enhanced Retention System (ERS) with a unique element/header indexing arrangement is available for the FM100 series.

General mounting dimensions are provided on pages 9 & 10 to assist in identifying potential system mounting locations.

The systems and elements listed herein are considered as "Normal Flow" (fuel is filtered as it leaves the element) unless specified as "Reverse Flow" (fuel is filtered as it enters the element).

For additional filtration information reference Fuel Manager Brochure 99889, FM100 Assembly Information Chart 99881, Fuel Manager Cross Reference guide 99642 and the Fuel Manager Users Guide 99795.

Stanadyne Corporation

92 Deerfield Road, Windsor, CT 06095, U.S.A. Tel: (860) 525-0821; Fax: (860) 683-4581; www.stanadyne.com

FM10



- ⇒ Engine power rating: 10 (7.5 kW) to 200 HP (150kW)
- ⇒ Max. fuel flow rate: 50 US gallons/hour (190 liters/hour)
- ⇒ Max. operating pressure: 30 P.S.I. (200 kPa)
- Polymer header assembly with integral barbed fittings for flex hose use.
- Tool free, environmentally friendly element change.
- Final filter/separator. Accepts optional modular features for custom installation
- For On-Off Road, Agricultural and Industrial applications.

Complete FM10 Filter/Separator Systems¹ — Mounting Header, Element, and Accessories listed

System Use	Micron Rating	Includes These Accessories	Replacement Element		Installation Dimensions ²		Complete System Part Number
			Part Number	Length in. (mm)	"A"	"B"	
Final Filter	5	Air Vent Plug	36682	2.8 (71.1)	6.6 (167.6)	4.7 (119.4)	36691
		See-through Bowl , Air vent plug	35746	4.3 (109.2)	8.1 (205.7)	6.2 (157.5)	36996
		See-through Bowl , Air vent plug	36682	2.8 (71.1)	8.5 (217.7)	6.6 (169.5)	37865

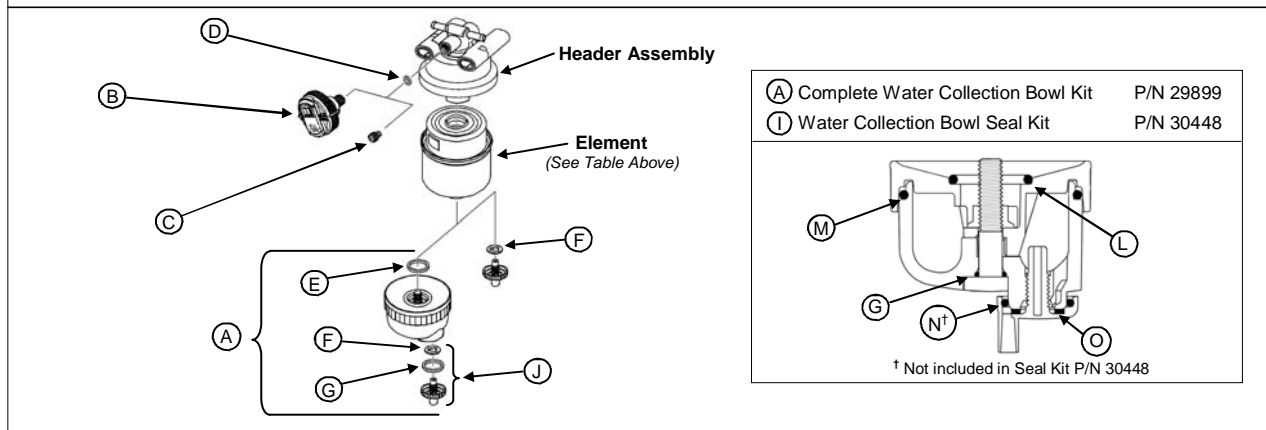
¹ Complete FM10 systems are not offered in aftermarket in "Reverse Flow" configuration.

² Reference *Basic Installation Dimensions* on page 10.

Replacement Elements

System Use	Flow Direction	Micron Rating	Element Length in. (mm)	Element Part Number
Final Filter	Normal (Orange Label)	5	2.8 (71.1)	36682
		5	4.3 (109.2)	35746
	Reverse (Black Label)	5	5.1 (129.5)	36995
		5	6 (152.4)	38640
		2	6 (152.4)	36994

Service Parts Illustration



Optional Accessories, Kits and Service Parts

Description	Illustration Reference	Details	Part Number
Water Collection Bowl Kit	(A)	Complete bowl assembly with seals and plastic drain valve	29899
Filter Change Indicator	(B)	Element restriction indicator - For systems mounted on the suction side of lift pump	37333
Air Vent Plug	(C)	Plastic plug, Air Vent	28691
Seals	(D)	O-Ring - Air Vent Plug & Filter Change Indicator	13494
	(E)	O-Ring - Filter element to collection bowl header	10519
	(F)	Washer - Three "Lobed" flow path for plastic drain valves	32010
	(G)	O-Ring - Plastic drain valve	29210
	(H)	O-Ring - Collection bowl to bowl header	31498
	(I)	Water collection bowl seal kit.	30448
Drain Valve Kit	(J)	Includes plastic drain valve, sealing washer, O-Ring Seal	32003

FM 100



- ⇒ Engine power rating: 50 (37.5 kW) to 350 HP (262.5 kW)
- ⇒ Max. fuel flow rate: 80 US gallons/hour (300 liters/hour) *
- ⇒ Max. operating pressure: 60 P.S.I. (413 kPa) *without collection bowl*
- ⇒ Top Load Filter: Max. Engine power 325 HP (243.75 kW), max. fuel flow 75 g/h (283 l/h)
- ⇒ Water separation efficiency: Up to 95% of whole water separation.



- Heavy duty aluminum header assemblies available with a variety of internal threads sizes and sealing configurations.
- Accepts optional modular features. Elements available in different sizes and micron ratings.
- **Marine** systems and components have enhanced corrosion resistant coatings
- **NOTE:** *Enhanced Retention System (ERS) elements are not compatible with other elements or headers.*

* Based on 3/8 inch port diameter

FM100 Complete Filter/Separator Systems — Mounting Header, Element, and Accessories listed

Filter Use	Micron Rating	Header Port Size	Includes These Accessories	Replacement Element		Installation Dimensions ¹		Complete System Part Number
				Part Number	Length in. (mm)	"A"	"B"	
Pre-Filter	150	3/8-18 NPTF	Air Vent Plug	31649	4.3 (109.2)	9.3 (236.5)	7.4 (189.4)	35599
			Marine - Aluminum Drain Valve, Air Vent plug	32200	4.3 (109.2)	9.3 (236.5)	7.4 (189.4)	33643
			Collection Bowl, Air Vent Plug	33169	3.6 (91.4)	8.1 (205.7)	6.2 (157.5)	33640
		M12 x 1.5 (O-ring)	33169	3.6 (91.4)	8.1 (205.7)	6.2 (157.5)	34817	
	M14 x 1.5 (Seal Washer)	33169	3.6 (91.4)	8.1 (205.7)	6.2 (157.5)	34818		
	30	1/4-18 NPTF	Collection Bowl, Air Vent Plug	31865	4.3 (109.2)	11.3 (286.5)	9.4 (239.0)	33816
			Collection Bowl, Air Vent Plug, E-Coated Header - <i>Reverse Flow</i>	40955	4.3 (109.2)	11.3 (286.5)	9.4 (239.0)	40954
			Marine - Aluminum Drain Valve, Air Vent plug, E-Coated Header - <i>Reverse Flow</i>	40958	4.3 (109.2)	9.3 (236.5)	7.4 (189.4)	40957
		3/8-18 NPTF	Collection Bowl, Air Vent Plug	31865	4.3 (109.2)	11.3 (286.5)	9.4 (239.0)	39452
			Air Vent Plug	31865	4.3 (109.2)	9.3 (236.5)	7.4 (189.4)	33641
		M12 x 1.5 (O-ring)	Marine - Aluminum Drain Valve, Air Vent plug	32177	4.3 (109.2)	9.3 (236.5)	7.4 (189.4)	33644
			Air Vent Plug	31865	4.3 (109.2)	9.3 (236.5)	7.4 (189.4)	34819
			Collection Bowl, Air Vent Plug, E-Coated Header - <i>Reverse Flow</i>	40955	4.3 (109.2)	11.3(286.5)	9.4 (239.0)	41341
		M14 x 1.5 (Seal Washer)	Marine - Aluminum Drain Valve, Air Vent plug, E-Coated Header - <i>Reverse Flow</i>	40958	4.3 (109.2)	9.3 (236.5)	7.4 (189.4)	41342
			Air Vent Plug	31865	4.3 (109.2)	9.3 (236.5)	7.4 (189.4)	34820
			Air Vent Plug - ERS	37294	4.3 (109.2)	9.3 (236.5)	7.4 (189.4)	40253
			Collection Bowl, Air Vent Plug, E-Coated Header - <i>Reverse Flow</i>	40955	4.3 (109.2)	11.3(286.5)	9.4 (239.0)	41343
			Marine - Aluminum Drain Valve, Air Vent plug, E-Coated Header - <i>Reverse Flow</i>	40958	4.3 (109.2)	9.3 (236.5)	7.4 (189.4)	41344
Final Filter		5	1/4 inch Barbed 1/2 inch Barbed	Top Load ³ , 100 Watt Heater, 12 Volt Water in Fuel Sensor	31712	—	7.66 (194.6)	—
	1/4-18 NPTF		Collection Bowl, Air Vent Plug	33168	2.8 (71.1)	9.7 (248.4)	7.9 (201.0)	35726
			Hand Primer Pump, Air Vent Plug	33168	2.8 (71.1)	7.8 (198.4)	5.9 (150.9)	38630
			Electric Lift Pump ² , Collection Bowl, Air Vent Plug- <i>Reverse Flow</i>	33959	4.3 (109.2)	11.3 (286.5)	9.4 (239.0)	33945
	3/8-18 NPTF		Air Vent Plug	31873	4.3 (109.2)	9.3 (236.5)	7.4 (189.4)	33642
			Marine - Aluminum Drain Valve, Air Vent plug	32178	4.3 (109.2)	9.3 (236.5)	7.4 (189.4)	33645
	M12 x 1.5 (O-ring)		Air Vent Plug	31873	4.3 (109.2)	9.3 (236.5)	7.4 (189.4)	34821
	M14 x 1.5 (Seal Washer)		Air Vent Plug	31873	4.3 (109.2)	9.3 (236.5)	7.4 (189.4)	34822
2	1/4-18 NPTF		Air Vent Plug	36693	2.8 (71.1)	7.8 (198.4)	5.9 (150.9)	36694

¹ Installation dimensions reference *Basic Installation Dimensions* on pages 9&10.

² Additional information regarding Electric Lift Pump can be found on page 6

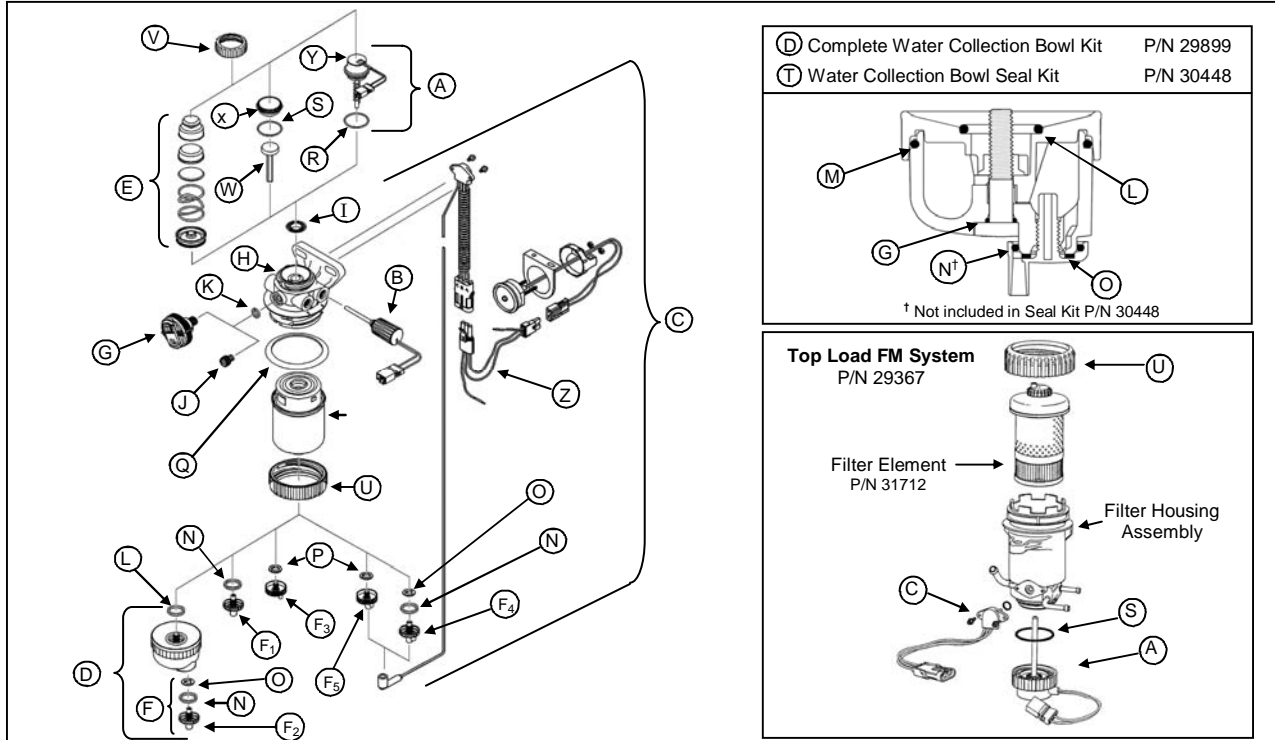
³ **Top Load** filter systems are standard equipment on GM 6.5L engine applications

FM100 Replacement Elements

System Use	Micron Rating	Description	Element Length inch (mm)	Part Number
Pre-Filter	150	Marine - Normal Flow	4.3 (109.2)	32200
			6.0 (152.4)	32201
		Normal Flow	3.6 (91.4)	33169
			4.3 (109.2)	31649
			6.0 (152.4)	31648
			3.6 (91.4)	33962
		Reverse Flow	4.3 (109.2)	33963
			6.0 (152.4)	33965
		Reverse Flow, ERS	4.3 (109.2)	39870
		30	Marine - Normal Flow	4.3 (109.2)
	6.0 (152.4)			32180
	Marine - Reverse Flow		4.3 (109.2)	40958
	Normal Flow		3.6 (91.4)	31863
			4.3 (109.2)	31865
			5.1 (129.5)	31867
			6.0 (152.4)	31869
	Normal Flow, ERS		3.6 (91.4)	37079
			4.3 (109.2)	36810
	Reverse Flow		3.6 (91.4)	34878
			4.3 (109.2)	35014
			4.3 (109.2)	40955
			5.1 (129.5)	35632
			6.0 (152.4)	35634
			4.3 (109.2)	37294
	Reverse Flow, ERS		5.1 (129.5)	37296
			6.0 (152.4)	37302
			4.3 (109.2)	37293
	10	Marine - Reverse Flow, ERS	6.0 (152.4)	37301
			4.3 (109.2)	37258
		Reverse Flow	6.0 (152.4)	37255
4.3 (109.2)			39851	
Reverse Flow, ERS		6.0 (152.4)	37300	
		4.3 (109.2)	37300	
Final Filter	5	Top Load¹	3.8 (96.0)	31712
		Marine - Normal Flow	4.3 (109.2)	32178
			6.0 (152.4)	32179
		Normal Flow	2.8 (71.1)	33168
			3.6 (91.4)	31871
			4.3 (109.2)	31873
			5.1 (129.5)	31875
			6.0 (152.4)	31877
			2.8 (71.1)	37290
		Normal Flow, ERS	4.3 (109.2)	37292
			6.0 (152.4)	37299
			2.8 (71.1)	33957
		Reverse Flow	3.6 (91.4)	33958
			4.3 (109.2)	33959
			5.1 (129.5)	33960
			6.0 (152.4)	33961
			4.3 (109.2)	37295
		Reverse Flow, ERS	6.0 (152.4)	39442
	4.3 (109.2)		37291	
	2	Marine - Normal Flow, ERS	6.0 (152.4)	37298
			2.8 (71.1)	36693
		Normal Flow	4.3 (109.2)	35614
			6.0 (152.4)	35612
			4.3 (109.2)	39187
		Normal Flow, ERS	6.0 (152.4)	37297
			6.0 (152.4)	36012

¹ Top Load filter systems are standard equipment on GM 6.5L engine applications

FM100 Service Parts Illustration




FM100 Optional Accessories, Kits and Service Parts

Description	Illustration Reference	Details	Part Number
Heater Kit (Top Load) includes seals, wire leads with connector and instructions	A	12 Volt - 100 Watt (Also fits Top Load System)	31341
		12 Volt - 150 Watt	32364
		24 Volt - 150 Watt	33649
Heater Kit (Side Load) includes seals, wire leads with connector and instructions <i>NOTE: All Side Load Heaters shown here are 100 watt and automatically turn "On" @ 58°F (14.4°C) and turn "Off" @ 85°F (29.4°C).</i>	B	12 Volt - 1/4" - 18 NPT	32283
		12 Volt - 3/8" - 18 NPT	35160
		12 Volt - 1/2" - 20 straight thread	30939
		12 Volt - M12 x 1.5	34743
		12 Volt - 1/2" - 20 straight thread, Deutsch term.	36550
		24 Volt - 1/4" - 18 NPT	34144
		24 Volt - 3/8" - 18 NPT	34145
		24 Volt - 1/2" - 20 straight thread	34146
		24 Volt - M12 x 1.5	35334
		12 Volt - with M16 x 1.5 adapter	40144
Electronic Water Sensor Kit	C	24 Volt - Plastic Drain Valve	33651
		12 Volt Aluminum Drain Valve - Marine	30866
		12 Volt - Top Load, Complete kit	29996
Water Collection Bowl Kit	D	Complete assembly (See-through bowl, seals, bowl header, draw bolt, drain valve)	29899
Hand Primer Pump Kit	E	Normal Flow	29578
		Reverse Flow	35474
		Normal Flow - Marine	30841
Drain Valve Kits Includes Valve and seals	F	F ₁ Standard Drain, Plastic (use 32003 for service)	32002
		F ₂ Standard Drain, Plastic	32003
		F ₃ Standard Drain, aluminum (Marine use)	30552
		F ₄ Water Sensor Drain, Plastic	32342
		F ₅ Water Sensor Drain, aluminum (Marine use)	30660
Filter Change Indicator	G	Element restriction indicator - For use with systems mounted on the suction side of lift pump	37333
Header Assembly	H	Ports: 1/2" - 20 Straight Thread (Normal Flow)	30837
		Ports: 1/4" - 18 NPTF (Replaces 29888) (Normal Flow)	33260
		Ports: 3/8" - 18 NPTF (Normal Flow)	33648
		Ports: M12 x 1.5 O-ring (Normal Flow)	34504
		Ports: M14 x 1.5 O-ring (Normal Flow)	34306
Pre-Filter Screen	I	150 micron - For FM 100	29575
Air Vent Plug	J	Plastic plug, Air Vent	28691

FM100 Optional Accessories, Kits and Service Parts (continued)

Description	Illustration Reference	Details	Part Number
Seals	(K)	O-Ring for Air Vent Plug	13494
	(L)	O-Ring for see-through bowl header to element	10519
	(M)	O-Ring for see-through bowl to bowl header	31498
	(N)	O-Ring for Plastic Drain Valve	29210
	(O)	Washer - Three "Lobed" flow path for plastic drain valves	32010
	(P)	Washer for Aluminum Drain Valves - Marine	29675
	(Q)	Dust Seal under Retaining Ring, Large diameter	29577
	(R)	O-Ring for Header Top (quad cross-section)	28869
	(S)	O-Ring for Header Top (round cross-section) <i>use 28869 for service</i>	—
	(T)	Water collection bowl seal kit	30448
Retaining Nut	(U)	Large Diameter (Element)	29458
	(V)	Small Diameter (Cap, heater, etc.)	28849
Volume Plug	(W)	Used under Cap Plate	29552
Water Sensor (circuit board, wire leads and terminals)	Not Shown on illustration	12 volt (replaces 29988) (non-Marine)	32343
		Top Load water in fuel sensor assembly	30831
		24 volt (non-Marine)	31942
Cap Plate	(X)	Top of FM100 Header Assemblies	28853
Heater Element - 12 Volt	(Y)	100 Watt—Top Load	30446
		150 Watt—Top Load	30447
Lift Pump Wiring Harness	(Z)	Comes with 33945 Lift Pump Assembly	34061

FM100 Electric Lift Pump/Filter Separator Assembly (P/N 33945)



Electric Lift Pump

- Power: 12 Volt, 4 amp
- Constant running when keyed "On".
- Pressure: 10 psi (68.95 kPa). Preset Internal regulator
- Flow: 60 Gal/Hr (230 Lt/Hr) maximum
- Five foot (152.4 cm) wire harness with weather proof connector

Header Assembly

- Flow reversed to protect pump by filtering fuel before it enters the pump
- Heavy duty cast aluminum construction with special anti-corrosion coating
- Four 1/4" - 18 NPTF ports, marked for inlet and outlet

Filter Element (P/N 33959)

- 5 micron Final Filter
- 4.3 inch (109.2 mm) long
- Reverse Flow
- Water collection bowl with plastic drain valve

- *Aftermarket use only. This is **NOT** a replacement for any similar OEM lift pump/filter offered by Stanadyne.*
- *Non-serviceable lift pump and header **ONLY** available as a complete Filter/Lift Pump assembly.*
- *Can also be used for pre-filtration when fitted with a 10 to 30 micron element. This requires an additional final filter to be installed on the lift pumps discharge side.*

FM1000 Fuel Filter/Water Separator Systems



- ⇒ Engine power rating: 250 (187 kW) to 600 HP (450 kW)
- ⇒ Max. fuel flow rate: 180 US gallons/hour (680 liters/hour) *
- ⇒ Max. operating pressure: 100 P.S.I. (688 kPa) *without collection bowl*
- Heavy duty aluminum header assemblies available with a variety of internal threads sizes and sealing configurations.
- Accepts optional modular features. Elements available in different sizes and micron ratings.
- Larger capacity for longer filter life and extended change intervals

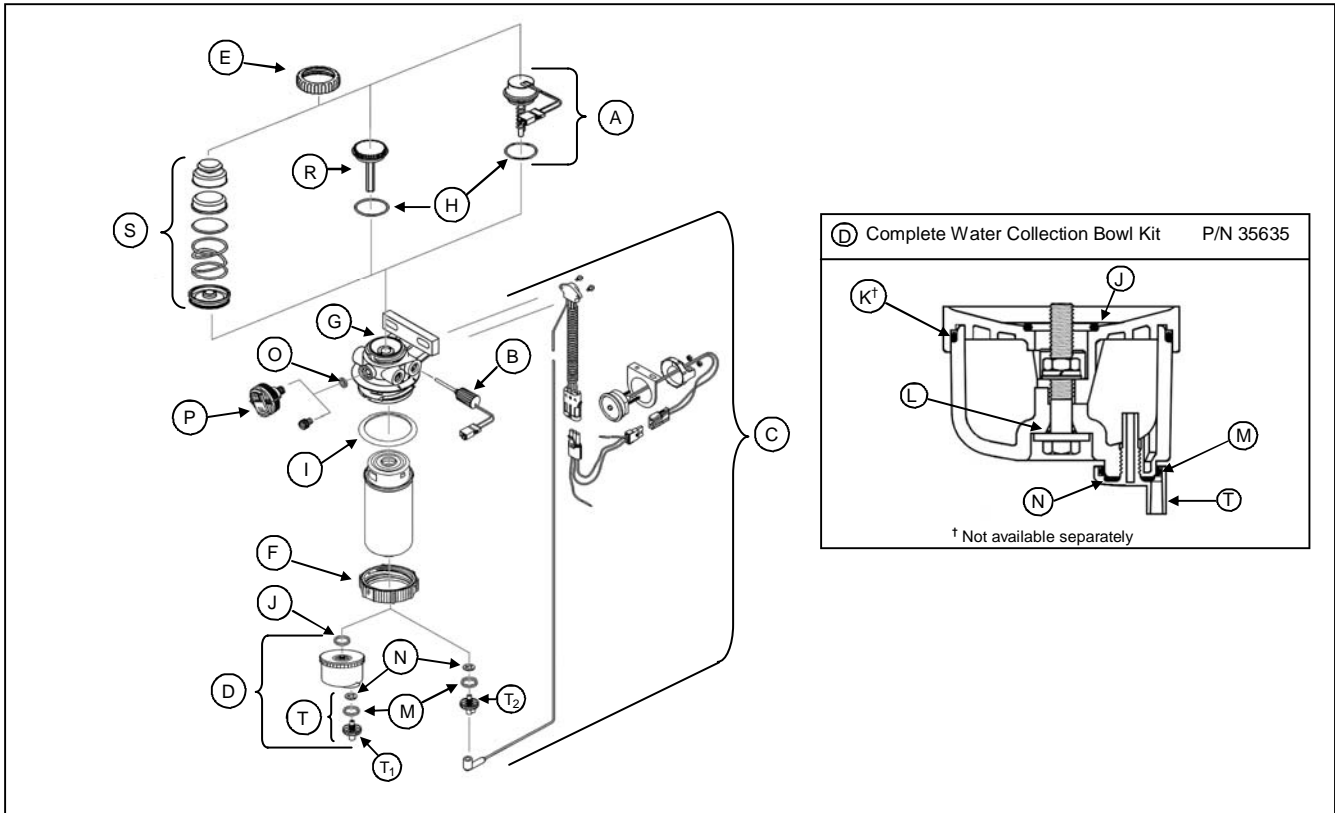
FM1000 Complete Filter/Separator Systems — Mounting Header, Element, and Accessories listed

Filter Use	Micron Rating	Header Port Size	Accessories Included	Element		Installation Dimensions		Part Number
				Part Number	Length in. (mm)	"A"	"B"*	
Pre-Filter	30	1/2" x 14 NPTF	Air Vent Plug	33634	4.0 (101.6)	9.2 (233.7)	7.0 (178.6)	33688
			Air Vent Plug	33638	8.0 (203.2)	13.2 (335.3)	11.0 (280.2)	33692
		7/8" x 14 O-Ring	Air Vent Plug	33634	4.0 (101.6)	9.2 (233.7)	7.0 (178.6)	33696
			Air Vent Plug	33638	8.0 (203.2)	13.2 (335.2)	11.0 (280.2)	33700
	150	M22 x 1.5 O-Ring	24 volt Water Sensor Hand Primer Air Vent Plug	36223	8.0 (203.2)	13.3 (339.1)	11.3 (286.0)	36224
Final Filter	5	1/2" x 14 NPTF	Air Vent Plug	33119	4.0 (101.6)	9.2 (233.7)	7.0 (178.6)	33686
		1/2" x 14 NPTF	Air Vent Plug	33636	8.0 (203.2)	13.2 (335.2)	11.0 (280.2)	33690
		7/8" x 14 O-Ring	Air Vent Plug	33119	4.0 (101.6)	9.2 (233.7)	7.0 (178.6)	33694
		7/8" x 14 O-Ring	Air Vent Plug	33636	8.0 (203.2)	13.2 (335.2)	11.0 (280.2)	33698
		7/8" x 14 O-Ring	300 Watt Top Heater Collection Bowl Air Vent Plug	33636	8.0 (203.2)	15.6 (396.3)	13.4 (341.1)	37776

FM1000 Replacement Elements

Filter Use	Micron Rating	Description	Element Length inch (mm)	Part Number
Pre-Filter	150	Normal Flow	8.0 (203.2)	36223
	30	Normal Flow	4.0 (101.6)	33634
			8.0 (203.2)	33638
	10	Reverse Flow	8.0 (203.2)	37968
Final filter	5	Normal Flow	4.0 (101.6)	33119
			8.0 (203.2)	33636
	5	Reverse Flow	3.0 (76.2)	39595

FM1000 Service Parts Illustration



FM1000 Optional Accessories, Kits and Service Parts

Description	Illustration Reference	Details	Part Number
Heater Kit	(A)	12 Volt - 300 Watt (Top Load)	36238
	(B)	12 Volt - 200 Watt (Side Load) M16 x 1.5	40145
Electronic Water Sensor Kit	(C)	12 Volt	29268
		24 Volt	38023
Water Collection Bowl Kit	(D)	Complete Water Collection/Storage Bowl	35635
Retaining Nut	(E)	Smaller Diameter (Cap)	28694
	(F)	Large Diameter (Element)	33108
Header Assembly	(G)	Black "E" coated. Ports: 1/2" - 14 NPTF	33564
		Black "E" coated. Ports: 7/8" - 14 O-ring	33102
Seals	(H)	O-ring under Top Cap	29588
	(I)	FM1000 Element Dust Seal	33104
	(J)	O- ring, Element to Collection bowl header	10519
	(K)†	O-ring, Collection Bowl Header to Bowl (only in Seal Kit P/N 36768)	Not Available Separately
	(L)	O-ring, Draw Bolt to bowl	32884
	(M)	O-Ring, Plastic Drain Valve	29210
	(N)	Washer seal for Drain Valve, Three "Lobes"	32010
	(O)	O-Ring, Air Vent Plug and Filter Change Indicator	13494
	—	Hand Primer, Outer Seal (Not Shown)	Not Available Separately
	—	Hand Primer, Inner Seal (Not Shown)	22591
Filter Change Indicator	(P)	Element restriction indicator - For use with systems mounted on the suction side of lift pump	37333

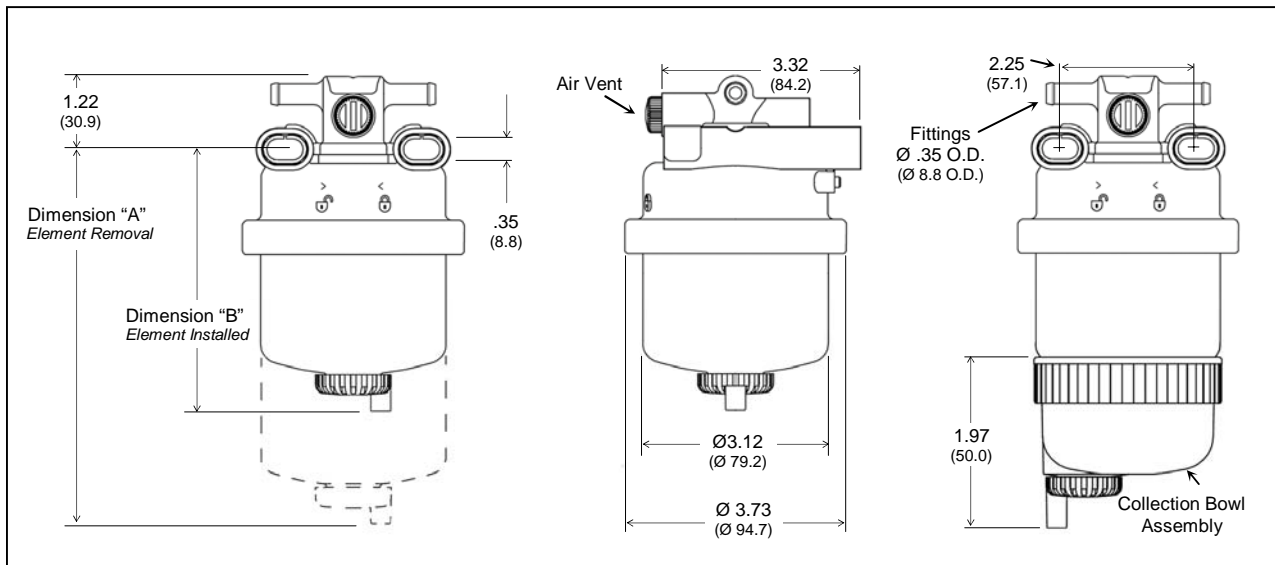
FM1000 Optional Accessories, Kits and Service Parts (continued)

Description	Illustration Reference	Details	Part Number
Air Vent Plug	Q	Plastic Vent Plug	28691
Volume Plug	R	Plastic plug under cap	Not Available Separately
Hand Primer Kit	S	Normal Flow	36910
		Reverse Flow	37348
Drain Valve Kit	T	T ₁ Plastic Drain Valve, Standard	32003
		T ₂ Plastic Drain Valve, Water Sensor	32342

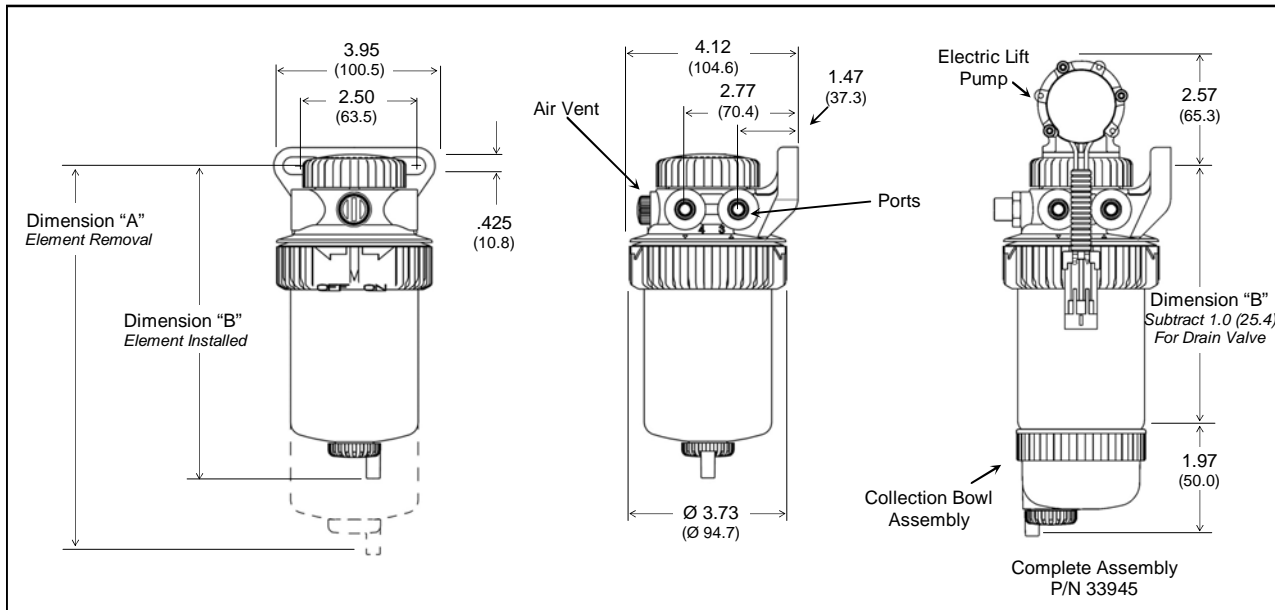
Basic Fuel Manager System Dimensions

NOTE: These are typical dimensions. Some systems may vary.

FM10

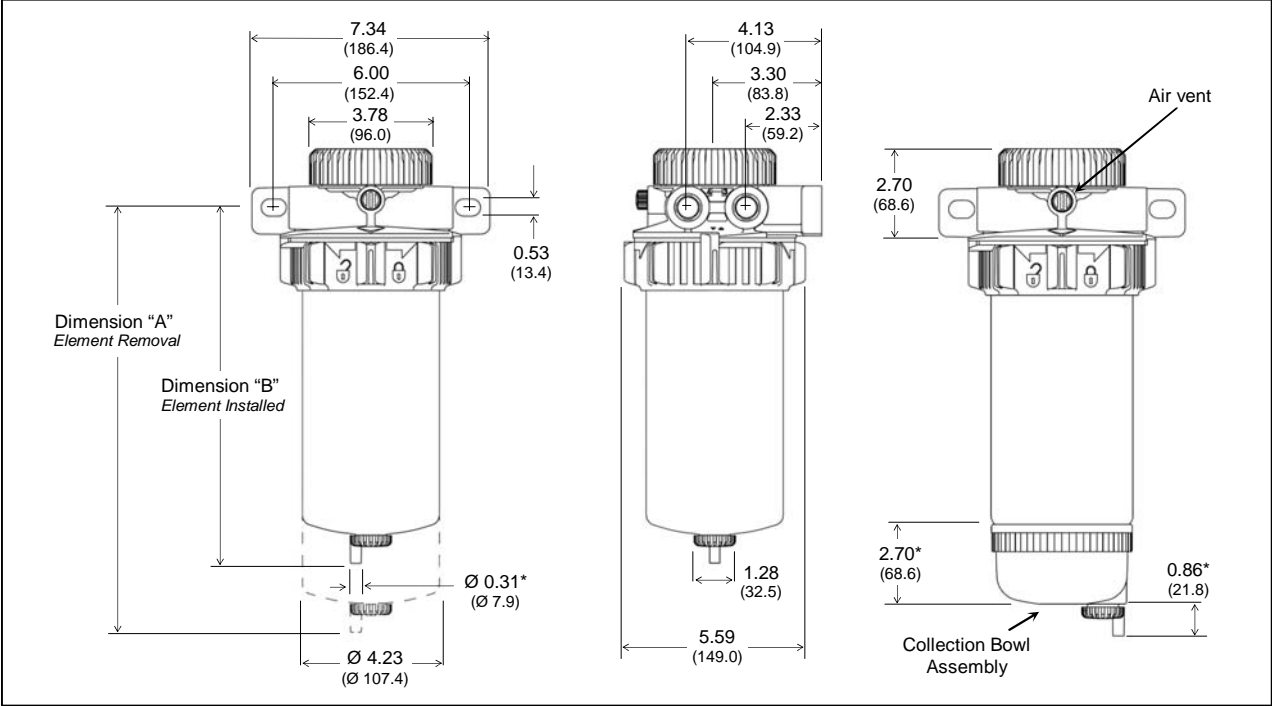


FM100



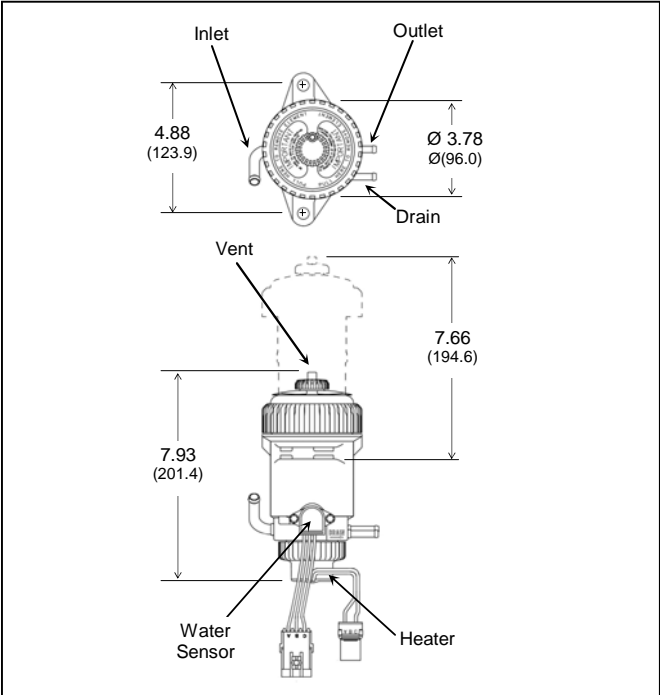
Basic Fuel Manager System Dimensions

FM 1000



* Drain Valve dimension vary with type, these are average dimensions. Applicable for FM10 and FM100 also.

FM100 Top Load





Stanadyne Corporation
92 Deerfield Road
Windsor, CT 06095, U.S.A
Tel: (860) 525-0821
www.stanadyne.com

Stanadyne SpA
Via Matteotti 158
25014 Castenedolo (Brescia), Italia
Tel: (39) 030 213 0070

Stanadyne Amalgamations Private Ltd.
96, Aranvayal Village
Poonamalle-Thiruvallur High Road
(Near Pratyusha Engg College)
Thiruvallur District- 602025, India
Tel: +91 044 37678300

Stanadyne Changshu Corporation
155# Huangshan Road
Southeast Economy Development Zone
Changshu City, 215500, Jiangsu Province
P.R.C. (People's Republic of China)
Tel: + 86 512 8156 5000

